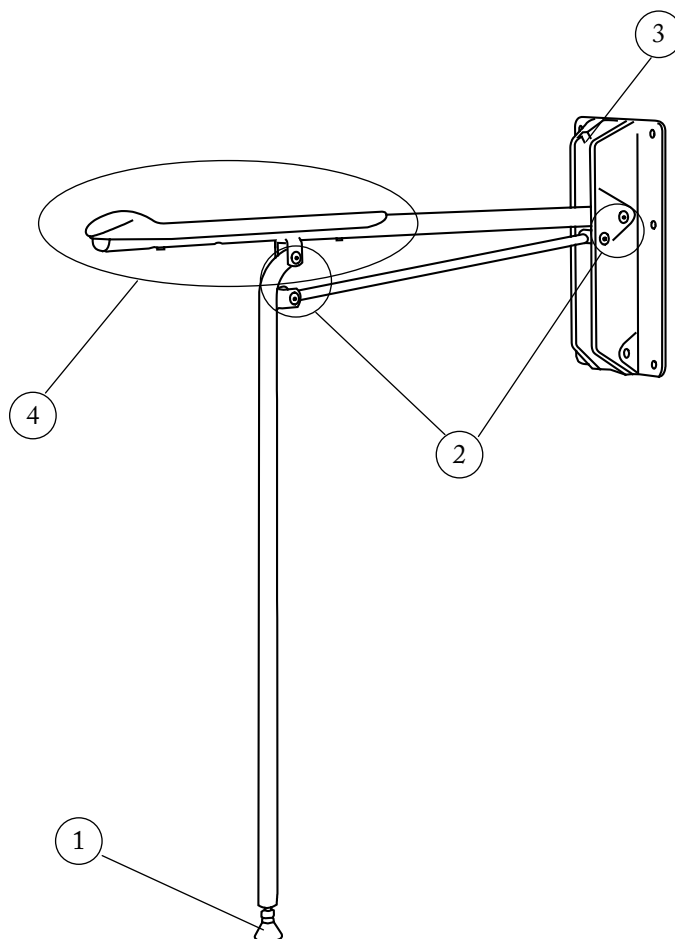


Optima

Art. no: 8030 3001



Pos	Description	Art no
1	Adjustable foot Optima/Rufus 2 pcs	84001147
2	Nut kit Optima 4pcs	84001156
3	Plastic clip kit Optima 10 pcs	84001158
4	Support plate Armrest 2pcs	84001212

78369A

06-02-06

Etac, Box 203, SE-334 24 Anderstorp

Tel. +46/371-58 73 00, Fax. +46/371-58 73 90

www.etac.com