



O'Neill Healthcare

Enhancing Quality of Life, Since 1999



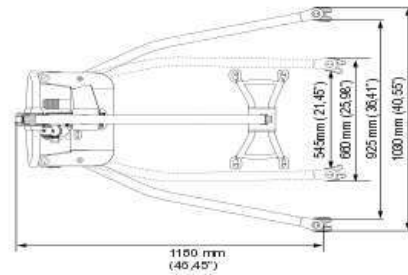
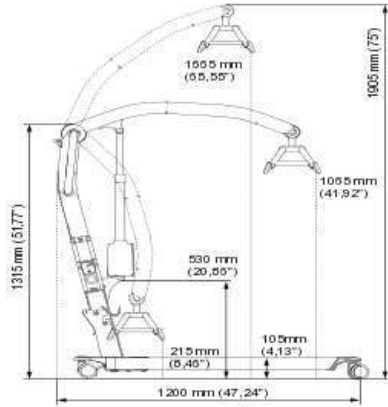
*The specialist expertise & product range
to ensure the right solution for each
person*

O'Neill Healthcare Ltd
Unit 106 Baldoyle Industrial Estate
Baldoyle, Dublin, Ireland
P: 01 832 6509
E: sales@onhealthcare.ie
www.onhealthcare.ie

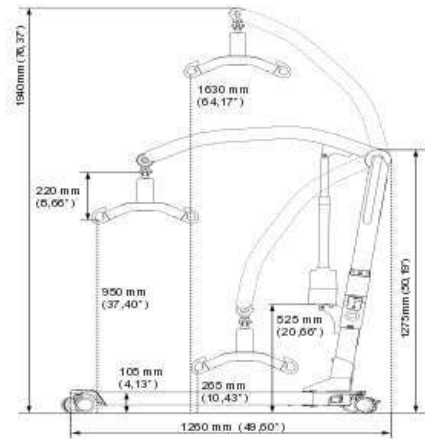


Dimensions Molift Mobile Hoists

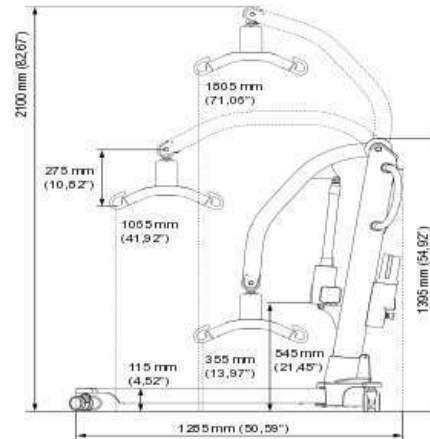
Molift Smart 150



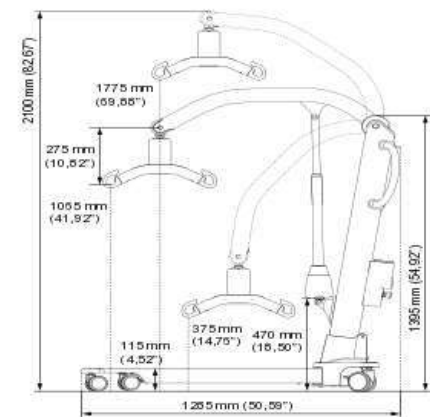
Molift Mover 180



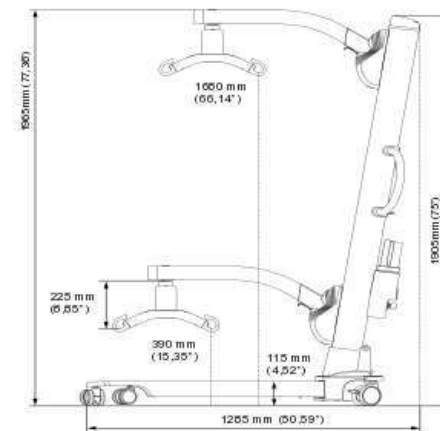
Molift Mover 205



Molift Mover 300



Molift Partner 255





Molift Smart 150

LIGHT, FOLDABLE AND TRANSPORTABLE WITHOUT TOOLS



Compact smartness

Molift Smart 150 is designed to be easily wheeled and transported to where it is required. It is designed for home care, for travelling and easy storage. The Molift Smart 150 is foldable in one piece without using any tools.

Low weight and unique construction

Due to its low weight, the small footprint and the unique construction, Molift Smart 150 is easy to manoeuvre even in narrow spaces..

Comfortable and safe transfer

The hoisting range of 27–168 cm (10.6"–66.1") provides an excellent maximum hoisting height and at the same time gets very low, facilitating hoisting from the floor. Standard 4-point sling suspension ensures a comfortable and spacious hoisting position for the user. Molift Smart 150 has been awarded for Design Excellence by the Norwegian Design Council.

Description Molift Smart 150	Item no. 10200	Leg height 110 mm (4.4")	Hoisting interval 1410 mm (55.5")	Cleaning instructions Use pH-neutral cleaning agents. If disinfection is required, use isopropyl alcohol. Do not use abrasive or corrosive substances for cleaning.
Service Software Included		Width chassis/legs outer 660 mm (25.9")	Battery NiMH 14.4 V – 2.2 Ah Item no. 0541000	
Material Aluminium steel		Width open legs inner 925 mm (36.4")	Battery charge time Ca 3 hours	
Total Weight 26 kg (57 lbs)		Dimension folded 1160 x 475 x 360 mm (45.32" x 18.7" x 14")	Hoisting speed 60 mm/sec (2.4"/sec)	
Weight when separated Part 1: 13 kg (28.6 lbs) Part 2: 13 kg (28.6 lbs)		Hoisting height 270–1665 mm (10.6"–66.1")	Rated performance 40 hoists at: 75 kg and 50 cm (165 lbs and 19.5")	
Length 1200 mm (47.2")				



Molift Mover 205

ALL-ROUND MOBILE HOIST FOR ALL SITUATIONS



A workhorse for frequent and everyday use

Molift Mover 205 is a flexible all-round mobile passive hoist for all hoisting and transfer situations in nursing, institutional and hospital settings. Although having a low total weight of 39.3 kg (89.5 lbs) facilitating wheeling and manoeuvrability, the unique construction allows a safe working load of 205 kg (452 lbs).

Excellent reach, low and high

Molift Mover 205 has an excellent hoisting height, with the 36–180 cm (14–71"). It has a standard 4-point suspension that used together with a Molift Sling provides a comfortable and spacious position for the user. A quick release function provides options of other suspensions in different dimensions. Equipped with environmentally friendly NiMh-battery

Description

Molift Mover 205 excl. suspension
Standard
Low base
With support arms

Item no.
14000
14050
14150

Width open legs inner
1065 mm (41.9")

Hoisting height
355–1805 mm
(14–71")

Hoisting interval
1450 mm (57.1")

Leg height
115 mm (4.5")
Low base: 60 mm (2.4")
With support arms: 115 mm (4.5")

Battery
NiMh 26.4 V – 2.2 Ah
Item no. 1341000

Battery charge time
Ca 3 hours

Hoisting speed

40 mm/sec (1.6"/sec)

Rated performance

50 hoists at: 75 kg and 50 cm
(165 lbs and 19.7")

Cleaning instructions

Use pH-neutral cleaning agents. If disinfection is required, use isopropyl alcohol. Do not use abrasive or corrosive substances for cleaning.

Material

Aluminium, steel

Service Software

Included

Total weight

Regular: 39.3 kg (89.5 lbs)
Low base: 42.6 kg (94 lbs)
With support arms: 45.6 kg (100.5 lbs)

Length

1285 mm (50.6")

Width chassis/legs outer

690 mm (27.2")





Molift Mover 300

WHEN A HIGH SAFE WORKING LOAD IS NEEDED

High capacity in a low total weight

With its high hoisting capacity of 300 kg (660 lbs), Molift Mover 300 is the ideal solution for hospitals and care facilities with bariatric clients who have frequent and everyday moving and handling needs. With a total weight of only 39.3 kg (90 lbs) the Molift Mover 300 is the lightest in its category. The unique construction and wheel positioning provides excellent manoeuvrability.

Excellent hoisting range

Molift Mover 300 hoists easily from the floor, reaching down to 38 cm (15") at the lowest. Excellent maximum hoisting height at 178 cm (70.1") provides good free hoisting space and possibility for gait training. The hoist is also equipped with an environmentally friendly NiMh-battery.



Description Molift Mover 300 excl. suspension Standard With Support arms	Item no. 15050 15150	Width open legs inner 1065 mm (41.9")	Hoisting speed 27 mm/sec (1.1"/sec)
Material Aluminium, steel		Hoisting height 375-1775 mm (14.8-69.9")	Rated performance 50 hoists at: 75 kg and 50 cm (165 lbs and 19.7")
Service Software Included		Hoisting interval 1400 mm (55.1")	Cleaning instructions Use pH-neutral cleaning agents. If disinfection is required, use isopropyl alcohol. Do not use abrasive or corrosive substances for cleaning.
Total weight Regular: 39.3 kg (90 lbs) With support arms: 45.6 kg (100.5 lbs)		Leg height 115 mm (4.5")	
Length 1285 mm (50.6")		Battery NiMh 26.4 V - 2.2 Ah Item no. 1341000	
Width chassis/legs outer 690 mm (27.2")		Battery charge time Ca 3 hours	



Features



Unique patented Quick release

Molift Mover 300 has a standard 4-point suspension with a Quick release function which provides options of other suspensions in different dimensions.



Many options

Molift Mover 300 can be used with a 4-point suspension. They are available in two variants and can be interchanged easily without tools.



High safe working load

Molift Mover 300 has a safe working load of 300 kg (660 lbs) and still weighs only 39.3 kg (90 lbs).

Accessories



Extra low base

Molift Mover 300 is also available with an extra low base chassis. A base height of only 6 cm is one of the lowest in the market.



Weight scale

The Molift Mover 300 scale is approved Class III and complies with all technical standards. It can also calculate BMI (Body Mass Index) with a simple touch.





Molift Quick Raiser 1

COMPACT DESIGN AND EXCELLENT MANOEUVRABILITY EVEN IN NARROW SPACES



Compact and easy

By virtue of its compact design and low weight, Molift Quick Raiser 1 is stable and easy to manoeuvre. The unique wheel position and near perfect weight distribution of the base provides a small turning radius with easy manoeuvrability even in narrow spaces.

Natural pattern of movement

The inclined straight column imitates the natural pattern of movement and fulfils the hoisting needs of users with some degree of weight bearing capacity. Molift Quick Raiser 1 has a safe working load of 160 kg (352 lbs.)

The extra low base, 7 cm (2.8"), and narrow front, 34 cm (13.5"), fits well around toilets and under most beds, chairs and wheelchairs.

Features



Extra low base

Extra low base with narrow front for easy access.



Molift Service Tool

Automatic service notification system determines when the hoist requires service and maintenance.



Compact and easy to manoeuvre

Molift Quick Raiser 1 has a low weight and is stable and easy to manoeuvre.



Multiple adjustable knee pads

The knee pads are height adjustable and can be turned around for better fitting and to give alternative support for the legs.

Molift Quick Raiser 2+

WHEN A HIGHER SAFE WORKING LOAD IS NEEDED



High safe working load

Molift Quick Raiser 2+ has been adapted for higher safe working load, up to 200 kg (440 lbs). It has a reinforced column and suspension and electrically adjustable leg base. The unique wheel position and perfect weight distribution of the base provides a good turning radius and easy manoeuvrability even in narrow spaces.

Natural pattern of movement

The inclined straight column imitates the natural pattern of movement and fulfils the hoisting needs of users with some degree of weight bearing capacity. The low base, 10 cm (4"), fits under most beds and chairs while the electrically adjustable legs enables accessibility almost everywhere.

Features



Increased safe working load

Molift Quick Raiser 2+ has a safe working load of 200 kg (440 lbs).



Multiple adjustable knee pads

The knee pads are height adjustable and can be turned around for better fitting and to give alternative support for the legs.



Molift Service Tool

Automatic service notification system determines when the hoist requires service and maintenance.



Natural pattern of movement

Inclined straight column imitates a natural pattern of movement.



Features



Molift Quick Raiser adjustable footboard

Footboard for adjusting the height of Molift Quick Raiser foot base, ideal for users of smaller height or children. SWL: 75 kg (165 lbs)
Item no. 0451000



Molift Quick Raiser Sandals

Designed to ensure the feet are held in place during hoisting. Sandals S 0452100
Sandals M 0452200
Sandals L 0452300



Extra soft pads for knee support

For patients with extra sensitive legs
Soft pads S 0455111
Soft pads L 0455114



Molift Rgo StandUp slings

Find detailed information on next page

Options



V-Shape Arm

Is the original hoisting arm. It is easy to use and fits most users.
Item no. 0458107



Increased safe working load

The hoisting arm has more space between the attachment points for the sling.
Item no. 0458010



Molift Quick Raiser Knee Support Small

Quick Raiser 1 0455000
Quick Raiser 2 & 2+ 0455012



Molift Quick Raiser Knee Support Large

Quick Raiser 1 0455001
Quick Raiser 2 & 2+ 0455011

Molift QuickRaiser 205

A sit to stand hoist with outstanding lifting capacity

Molift QuickRaiser 205 is a state of the art sit-to-stand hoist, with an electrically adjustable leg base and an outstanding lifting capacity. The standing hoist is comfortable, stable and safe with exceptional manoeuvrability.

Stable and compact

QuickRaiser 205 is compact, stable and exceptionally easy to manoeuvre. The unique wheel position, angled push bar and the extraordinary weight distribution of the base provides a small turning radius and easy manoeuvrability even in very narrow spaces. With the small castor option (50 mm), it is only 7,5 cm (3") high from the floor, and fits under most beds and chairs while the electrically adjustable legs enables accessibility almost everywhere.

Natural pattern of movement

The Active Lifting Arm (four point spreader bar) and the RgoSling Active provides extra support when hoisting from sit to stand. The inclined column encourages a natural pattern of movement and fulfills the hoisting needs of users with some weight bearing capacity. The Active Lifting Arm combined with the sling provides a comfortable, stable and safe hoisting solution.



Description	Castor	Item no.	Width of wheelbase	
Molift QuickRaiser 205 Active	50/75mm	29000	External	62 cm
Molift QuickRaiser 205 Standup	50/75mm	29001	Internal	20 cm
Molift QuickRaiser 205 Active	75/100mm	29100		
Molift QuickRaiser 205 Standup	75/100mm	29101		
			Castor	Height of wheelbase
			Ø 75/50mm	76 mm
			Ø 100/75mm	101 mm
			Castor	Ground clearance
			Ø 75/50mm	27 mm
			Ø 100/75mm	52 mm
			Castor	Height of footplate
			Ø 75/50mm	65 mm
			Ø 100/75mm	90 mm
			Turning radius	115 cm
			Cleaning instructions	
			Clean the product with a solvent-free cleaning agent (pH level 5–9), or with a 70% disinfectant solution. Can be decontaminated at max 85°C / 185°F	
Lifting Range		60 cm		



Features



Ergonomic design

The slanting column lifts the user up and forwards to imitate a natural movement pattern.



Automatic Warning

Automatic warning for (annual) periodic inspection and service.



Comfort, safety and stability

The Active Lifting Arm (four point spreader bar) and the RgoSling Active provides extra support when hoisting from sit to stand.



Easy to manoeuvre

Easy to operate in moving and handling situations; toilet, sit-to-stand and stand-up training.



Accessories



StandUp lifting arm

Ideal to use with RgoSling Standup slings.



Inlays for footplate

Inlays with slipresistant material to increase friction.



Molift products are designed for efficiency

With the increasing need for efficiency in the healthcare sector and growing focus on patient and caregivers needs and safety, top class transfer products are essential. The goal is to give the best and most secure patient care, avoid heavy lifting situations which can put caregiver's back at risk at the same time as providing the healthcare sector with the most cost effective solutions. This is one of the cornerstones that the Molift product range is built upon.

STABLE LIFTING AND INCREASED DIGNITY

All Molift lifters are fitted with 4-point suspension as standard. Users enjoy a free, open sitting position with plenty of head room, avoiding the feeling of being cramped, and feel comfortable and secure when sitting. Combined with the Molift RgoSling they provide extraordinary comfort and correct positioning from lying to sitting and vice versa as the sling loops glide naturally into position during lifting.



With Molift RgoSling you will get one of the best slings in the market with many state of the art solutions.





Molift RgoSling Concept

BUILT-IN ERGONOMY FOR COMFORTABLE HOISTING



Maximum Comfort

All our slings are designed to distribute weight and pressure evenly for maximum comfort. As Molift is committed to comfort and safety we offer a wide range of various models and sizes. We recommend individual testing and have a colour code indicating sling size to facilitate a quick and easy selection.

Anatomical shape makes the difference!

Molift RgoSling has an anatomical shape and a fitted cut with fixed padding both in the back and leg parts. The anatomic design allows for the natural curvature of the spine and stops the user from sliding. In combination with the balanced weight distribution, a safe and comfortable lift is achieved.

Unique sliding loop function

The unique sliding loop function in the shoulder straps, balances the weight distribution in every stage of the lift, making it very comfortable to lift from a lying to a sitting position and vice versa. Thereby an external angle adjustment of the suspension is redundant.

Unique Features

The shoulder straps have the unique Molift sliding loops, to secure a comfortable and safe position for the patient. At the same time the clever design of the leg parts distributes the pressure for increased comfort. Sling application is made very easy due to the centrally placed pocket, together with the special folding technique developed by Molift.

Scandinavian Design

Molift slings are designed in Norway, applying the same high standards as it does to Molift hoisters. All the slings have been approved according to quality standard EN ISO 10535. We recommend the use of 4-point suspension for comfortable hoisting, but the slings may also be used with a 2-point suspension.

Features



Sliding loops

The sliding loops gives a balanced weight distribution.



Many options

The slings are available with HighBack and MediumBack.



Flip up labelling system

Clear and visible information for the everyday need. Maintenance information flipped up behind the main label.



Guide pockets

Pockets in the back and on the legrests facilitate application, primarily in sitting position.



Molift RgoSling StandUp for Quick Raiser

THE IDEAL SLING SOLUTION FOR ACTIVE TRANSFERS WITH MOLIFT QUICK RAISER

Molift RgoSling StandUp

Molift RgoSling StandUp is a padded sling developed for active hoisting together with Molift Quick Raiser. It provides perfect lumbar support and is the ideal sling solution for hoisting and moving between different sitting positions. The RgoSling StandUp is quickly and easily placed around the user.

By virtue of the design it is ideal for use in toilet situations. Molift RgoSling StandUp has an efficient anti-slip lining to prevent the sling from sliding up. The wide back-support distributes weight and pressure evenly over a large surface which makes it more comfortable for the user. The waist belt



Molift RgoSling StandUp with Support

Molift RgoSling StandUp with Support provides additional pelvic support for users who need a little extra help to stand up.



Description

Molift RgoSling StandUp

XS	1720710
S	1720720
M	1720730
L	1720740
XL	1720750

Waist Size

XS	55–60 cm	(21.7"–23.6")
S	60–75 cm	(23.6"–29.5")
M	75–100 cm	(29.5"–39.4")
L	100–150 cm	(39.4"–59.1")
XL	150–175 cm	(59.1"–68.9")

Description

Molift RgoSling StandUp with Support

XS	1720810
S	1720820
M	1720830
L	1720840
XL	1720850

Material

Polyester

Inspection instruction

Inspect the slings regularly, especially after washing. Carefully examine slings for wear and tear. Pay particular attention to seams, fabric, straps and loops. Any damaged slings should be replaced immediately.





Molift RgoSling MediumBack

BUILT-IN ERGONOMY FOR COMFORTABLE HOISTING

For homecare and institutional environments

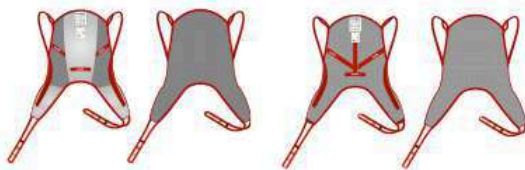
Molift RgoSling MediumBack is an all-round sling that fits most users and hoisting situations in

Support for the body

RgoSling MediumBack provides support for the body and is suitable for a patient with headcontrol.

Molift RgoSling MediumBack in Net-version

The RgoSling MediumBack is also available in a soft net mesh polyester material. The material breathes well and dries very quickly. The sling is especially suitable for shower and bathing situations. The mesh version has the same shape and features as the padded versions, such as; sliding loops, application pocket in the back and legrests and straps for increased weight distribution in the leg parts.



Molift RgoSling HighBack

Size	Padded	Net
XXS	1720200	1720400
XS	1720210	1720410
S	1720220	1720420
M	1720230	1720430
L	1720240	1720440
XL	1720250	1720450
XXL	1720260	1720460

Recommended user weight

XXS	12–17 kg (26–37 lbs)
XS	17–25 kg (37–55 lbs)
S	25–50 kg (55–110 lbs)
M	45–95 kg (99–210 lbs)
L	90–160 kg (198–353 lbs)
XL	160–240 kg (353–529 lbs)
XXL	230–300 kg (507–660 lbs)

Material
Polyester, PE-cellfoam





Molift RgoSling HighBack

BUILT-IN ERGONOMY FOR COMFORTABLE HOISTING

For homecare and institutional environments

Molift RgoSling MediumBack is an all-round sling that fits most users and hoisting situations in homecare and institutional environments.

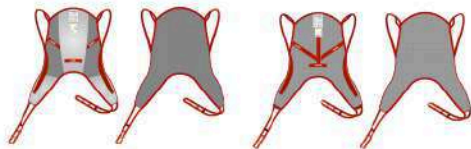
Support for the head

RgoSling HighBack provides support for the body and for the head as well. It allows the user to have a slightly inclined position which is suitable for users with impaired trunk and head stability. It is especially suitable for hoisting to and from a lying position and



Molift RgoSling in Net-version

The RgoSling HighBack is also available in a soft net mesh polyester material. The material breathes well and dries very quickly. The sling is especially suitable for shower and bathing situations. The mesh version has the same shape and features as the padded versions, such as; sliding loops, application pocket in the back and straps for increased weight distribution in the leg parts.



Molift RgoSling HighBack

Size	Padded	Net
XXS	1720200	1720400
XS	1720210	1720410
S	1720220	1720420
M	1720230	1720430
L	1720240	1720440
XL	1720250	1720450
XXL	1720260	1720460

Recommended user weight

XXS	12–17 kg (26–37 lbs)
XS	17–25 kg (37–55 lbs)
S	25–50 kg (55–110 lbs)
M	45–95 kg (99–210 lbs)
L	90–160 kg (198–353 lbs)
XL	160–240 kg (353–529 lbs)
XXL	230–300 kg (507–660 lbs)

Material

Polyester, PE-cellfoam





Molift RgoSling Toilet LowBack and HighBack

A FLEXIBLE SLING WITH OPTIMAL FUNCTIONS FOR TOILET SITUATIONS



Meeting high demands when toileting

RgoSling Toilet provides an exceptional trunk support and is secured by double belt-buckles. The flexible leg supports facilitates individual fitting and can be positioned in different ways to accommodate the user's functions and needs.

Comfort and safety for the user

Molift RgoSling Toilet has several alternative loops on both the shoulder and leg straps in order to adjust the sitting angle according to the user's needs, including an upright sitting position. The sling provides exceptional support in the sitting position. The belt-buckles can be adjusted along its length in order to get weight and pressure in optimal position whilst maintaining good stability and safety.



Available in HighBack version

Molift RgoSling Toilet HighBack provides additional support for users with reduced or no head stability.

LowBack



Size

XXS
XS
S
M
L
XL
XXL

LowBack

1720500
1720510
1720520
1720530
1720540
1720550
1720560

HighBack



HighBack

1720600
1720610
1720620
1720630
1720640
1720650
1720660

Recommended user weight

XXS 12–17 kg (26–37 lbs)
XS 17–25 kg (37–55 lbs)
S 25–50 kg (55–110 lbs)
M 45–95 kg (99–210 lbs)
L 90–160 kg (198–353 lbs)
XL 160–240 kg (353–529 lbs)
XXL 230–300 kg (507–660 lbs)

Material

Polyester, PE-cellfoam





Molift RgoSling Ambulating Vest

FOR GAIT TRAINING, INDEPENDENT OR WITH ASSISTANCE

Secure and comfortable gait training

Molift RgoSling Ambulating Vest is developed for safe and secure rehabilitation such as gait training, standing exercise as well as balance exercise. Molift RgoSling Ambulating Vest has a double buckled wide padded belt that distributes pressure evenly over a larger surface. The padded groin straps limit the vest from sliding up and out of position.

Adopted features from professional climbing

Molift RgoSling Ambulating Vest has adopted features from professional climbing equipment to provide the best possible comfort and safety for the user. The self-tightening suspension loops prevent users from slipping or falling down. The front buckle system provides increased possibilities for the user to more independently perform gait training or toileting, maybe even without assistance.

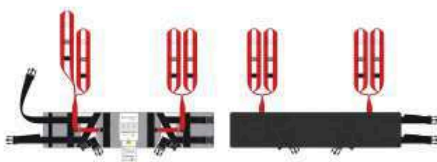


Accessories



Groin Straps

The groin straps are placed in an outward angle which minimizes risk of pinching when more weight is put on the vest.



Size	Item no.	Recommended user weight
XXS	1721300	XXS 12–17 kg (26–37 lbs)
XS	1721310	XS 17–25 kg (37–55 lbs)
S	1721320	S 25–50 kg (55–110 lbs)
M	1721330	M 45–95 kg (99–210 lbs)
L	1721340	L 90–160 kg (198–353 lbs)
XL	1721350	XL 160–240 kg (353–529 lbs)

Material
Polyester, PE-cellfoam



Accessories

Groin Straps for Ambulating Vest
Order two for a complete pair.

Size	Item no.
XXS–XS	1721700
S–M	1721720
L–XL	1721740





Molift RgoSlings concept

RgoSling MediumBack Padded



MediumBack padded XS	1720110
MediumBack padded S	1720120
MediumBack padded M	1720130
MediumBack padded L	1720140
MediumBack padded XL	1720150
MediumBack padded XXL	1720160

RgoSling HighBack Padded



HighBack padded XS	1720210
HighBack padded S	1720220
HighBack padded M	1720230
HighBack padded L	1720240
HighBack padded XL	1720250
HighBack padded XXL	1720260

RgoSling MediumBack Net



MediumBack Net XS	1720300
MediumBack Net S	1720310
MediumBack Net M	1720320
MediumBack Net L	1720330
MediumBack Net XL	1720340
MediumBack Net XXL	1720350
MediumBack Net XXXL	1720360

RgoSling HighBack Net



HighBack Net XS	1720400
HighBack Net S	1720410
HighBack Net M	1720420
HighBack Net L	1720430
HighBack Net XL	1720440
HighBack Net XXL	1720450
HighBack Net XXXL	1720460

RgoSling Toilet LowBack



Toilet LowBack XS	1720500
Toilet LowBack S	1720510
Toilet LowBack M	1720520
Toilet LowBack L	1720530
Toilet LowBack XL	1720540
Toilet LowBack XXL	1720550
Toilet LowBack XXXL	1720560

RgoSling Toilet HighBack



Toilet HighBack XS	1720600
Toilet HighBack S	1720610
Toilet HighBack M	1720620
Toilet HighBack L	1720630
Toilet HighBack XL	1720640
Toilet HighBack XXL	1720650
Toilet HighBack XXXL	1720660

RgoSling Ampu MediumBack



Ampu MediumBack XS	1721100
Ampu MediumBack S	1721110
Ampu MediumBack M	1721120
Ampu MediumBack L	1721130
Ampu MediumBack XL	1721140
Ampu MediumBack XXL	1721150
Ampu MediumBack XXXL	1721160

RgoSling Ampu HighBack



Ampu HighBack XS	1721200
Ampu HighBack S	1721210
Ampu HighBack M	1721220
Ampu HighBack L	1721230
Ampu HighBack XL	1721240
Ampu HighBack XXL	1721250
Ampu HighBack XXXL	1721260

RgoSling Comfort HighBack



Comfort HighBack S	1721420
Comfort HighBack M	1721430
Comfort HighBack L	1721440

RgoSling StandUp



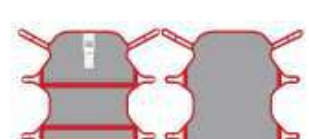
StandUp XS	1720710
StandUp S	1720720
StandUp M	1720730
StandUp L	1720740
StandUp XL	1720750

RgoSling StandUp w/support



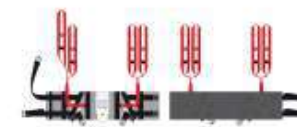
StandUp w/support XS	1720810
StandUp w/support S	1720820
StandUp w/support M	1720830
StandUp w/support L	1720840
StandUp w/support XL	1720850

RgoSling FabricStretcher



FabricStretcher M	1721520
FabricStretcher XL	1721540

RgoSling Ambulating Vest



Ambulating Vest XS	1721300
Ambulating Vest S	1721310
Ambulating Vest M	1721320
Ambulating Vest L	1721330
Ambulating Vest XL	1721340
Ambulating Vest XXL	1721350

RgoSling Ambulating Vest Groin Strap



Groin strap XS-XS	1721700
Groin strap S-M	1721720
Groin strap L-XXL	1721740

RgoSling Extension Loops



Extension loops	1721600
-----------------	---------



Molift Air

SMALL, COMPACT AND EASY TO INSTALL



The Molift Air is a strong and smooth ceiling hoist that enables patients to be transferred in a comfortable and safe way.

Functional and well designed

Molift Air is an innovative, functional and well-designed hoisting aid for disabled users. Combined with the Molift Rail System (MRS), Molift Air solves all hoisting situations in health care and other patient handling environments.



Light and flexible

Molift Air is suitable for sitting and horizontal transfers as well as standing and gait training situations together with the comprehensive accessory program from Molift. It is used with fixed ceiling rails, but can also be used for portable freestanding systems.

Molift Air is easy to handle during installation and servicing, due to a very low weight and the clever quick release function. Molift Air offers flexible solutions such as remote control and possibilities for room-to-room transfer, due to a very low weight and the clever quick release function system. Molift Air

is easy to handle during installation and servicing. Add to this the safety features, the large hoisting interval and the multiple suspension range. It is the complete solution in all health care segments.

Description

Molift Air 205	25205
Molift Air 300	25300
Molift Air 205 Propulsion	26205
Molift Air 300 Propulsion	26300
Molift Air 205 IRC	27205
Molift Air 300 IRC	27300
Molift Air 205 IRC Propulsion	28205
Molift Air 300 IRC Propulsion	28300

Item no.

Service Software

Service Tool 4 Included

Protection class

Handcontrol IPX4
Hoist motor IPX4

Safe Working Load

Molift Air 205: 205 kg (450 lbs)
Molift Air 300: 300 kg (660 lbs)

Weight of unit

7.5 kg/16.5 lbs

Hoisting interval

3000 mm (118.1")

Battery charger

100-240 V AC, 40-60 Hz

Emergency lowering

Mechanical and Electrical

Battery

26.4 V NiMH 2.2 Ah

Emergency-stop

Reachable from floor with string
Reset possible from floor

Motor

24 V DC 12 A

Hoisting speed

35 mm/s 90 kg load
1.4 in/s 198 lbs load





One of the most efficient installation processes on the market

The Molift Rail System is designed and approved in accordance with ISO 10535. The system has rail profiles with innovative solutions for integration into the ceiling. It also includes switches and other transition options which makes the rail system extremely flexible. The rail system consists of very few parts which gives one of the most efficient installation processes on the market. All these features make our system very competitive with regard to profitable investment. The rail system can be integrated into all types of ceilings and walls. Depending on ceiling hoist motor choice the system can be designed from 160 up to 300 kg and even higher hoisting capacity for bariatric patients.

Flexible solutions

- Easy to install.
- Various weight classes.
- A variety of installation options – integrate in the false ceiling, under the false ceiling, on the wall, on the floor with up right supports, etc.
- Can be installed in all types of ceilings, walls and floors.



With a traverse system it is possible to cover the whole room, and be independent to do refurbishing or equipment changes. It is possible to integrate the primary rail to make a nice clean surface in the ceiling.



A single integrated rail offers a very discrete and nice solution. It is often recommended to choose simple and efficient solutions because they are easy to use.



With a Molift Free Standing Unit it is possible to offer a single rail or a Traverse System that is easy to install without the need of mounting anything in the ceiling or on the walls. It is ideal for situations where the need for a hoist is temporary.

Safe Working Load

160-300kg (362-660 lbs)

Rails

3 dimensions H62, H112 and H142

Switchesafe

Fall switch

Traverse switch

Colours

White or anodised aluminium

Max Distance between fixtures

White or anodised aluminium